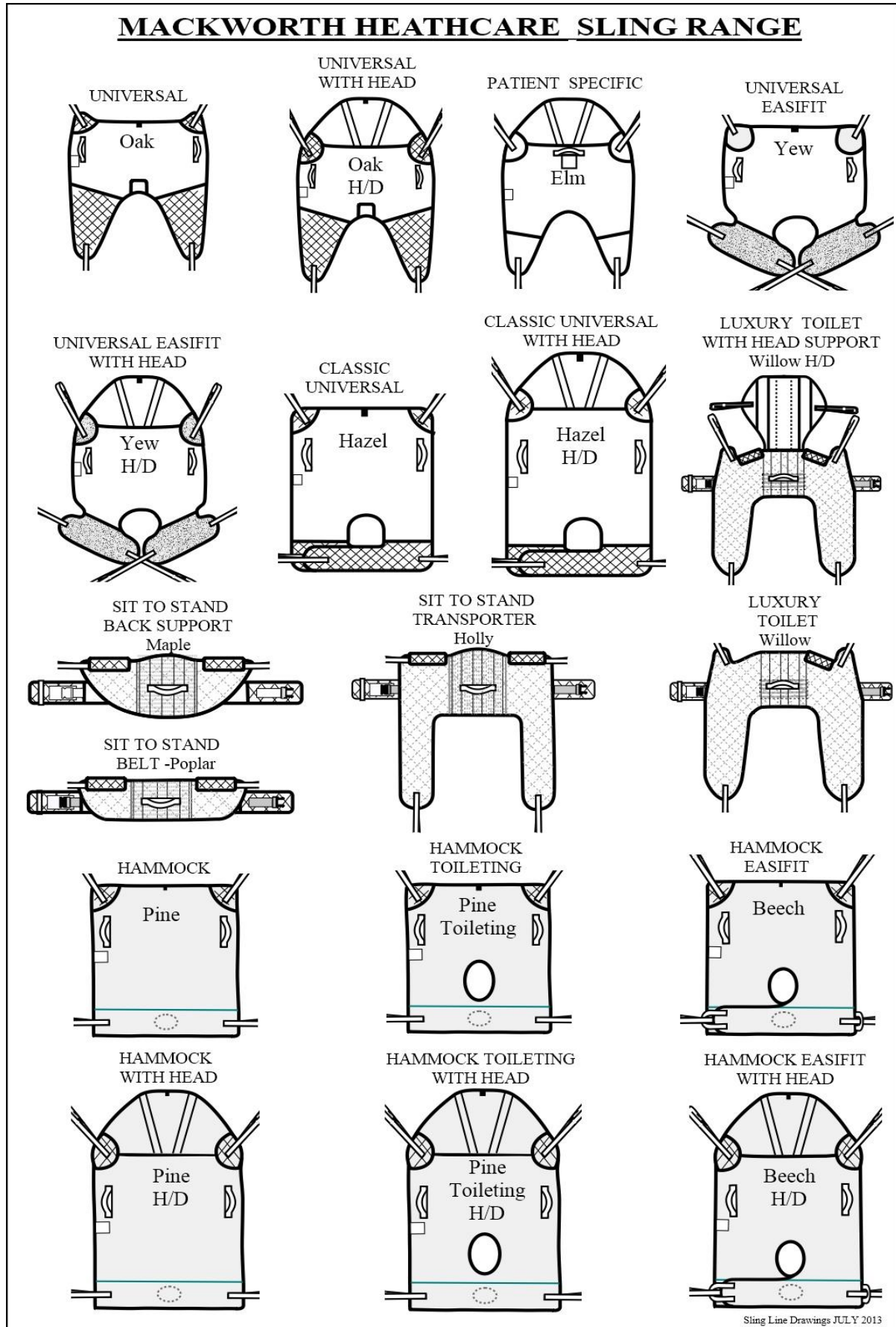
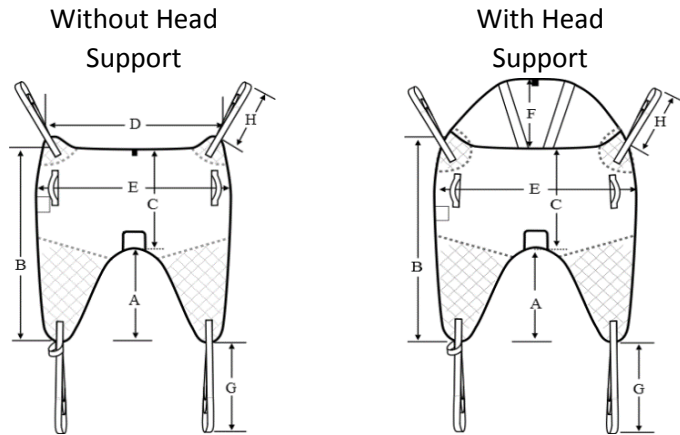


# SLING SIZE CHART



**MACKWORTH OAK - UNIVERSAL**

MATERIAL OPTIONS
SOLID
MESH
SPACER
QUILTING
PARASILK

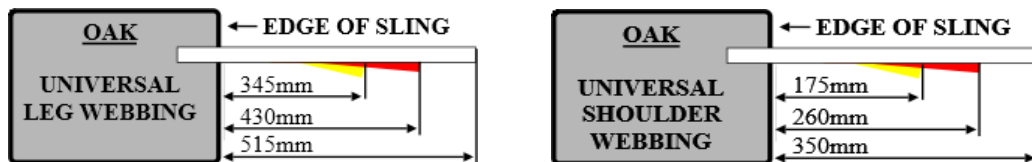


**NOTES**

- \* ALL MEASUREMENTS ARE IN MILLIMETRE'S
- \* MEASUREMENT "B" ON THE FINISHED SLING IS A + C WITH THE SLING LAID FLAT.
- \* "D" IS MEASURED AT THE TOP EDGE WHERE THE DARTS ARE "E" IS THE FULL WIDTH OF THE SLING

**FINISHED SLING DIMENSIONS**

	XXS	XS	S	M	L	XL	XXL	
A	330	365	405	450	485	485	510	
B	780	860	820	990	1070	1080	1225	
C	440	490	515	540	635	660	700	
D	530	630	730	830	870	850	950	
E	660	760	860	970	1060	1120	1200	
F	275	275	355	355	355	355	355	
G	515	515	515	515	515	515	515	
H	350	350	350	350	350	350	350	



Note: All measurement are +/- 5%

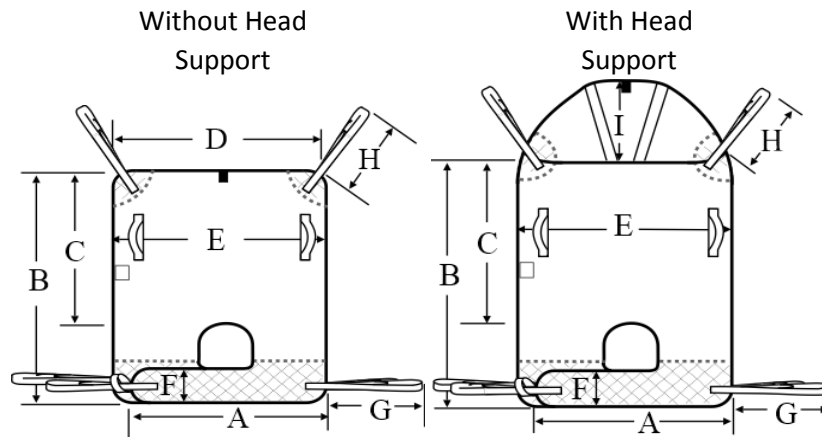
NB: This document is a guide only and shrinkage may occur during laundering processes. Specials / Made to measure variations of this and other sling designs for specialist patient needs will possibly vary from this guide.

Design Date: 01/04/2014

Signed: Len Foley Manager

**MACKWORTH LONG LEG HAZEL - CLASSIC UNIVERSAL LL**

MATERIAL OPTIONS
SOLID
MESH
SPACER
QUILTING
PARASILK

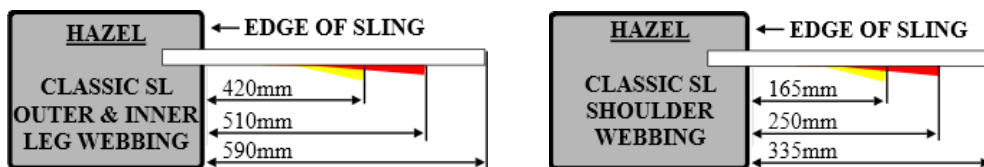


**NOTES**

- \* ALL MEASUREMENTS ARE IN MILLIMETRE'S
- \* MEASUREMENTS "B & C" ARE TAKEN DOWN THE SLINGS CENTRE, THE SIDES ARE SHORTER DUE TO THE DARTS
- \* "D" IS MEASURED AT THE TOP EDGE WHERE THE DARTS ARE "E" IS THE FULL WIDTH OF THE SLING
- \* THIS SLING HAS THE SAME WEBBING ON THE INSIDE AND OUTSIDE OF THE LEGS DIMENSION "G"

**FINISHED SLING DIMENSIONS**

	XXS	XS	S	M	L	XL	XXL	
A	580	635	690	740	820	880	1000	
B	850	920	990	1030	1060	1080	1150	
C	560	615	620	620	655	660	730	
D	620	710	810	850	820	920	1080	
E	745	847	950	1030	1080	1180	1290	
F	155	165	165	165	165	165	165	
G	590	590	590	590	590	590	590	
H	335	335	335	335	335	355	355	
I	275	275	350	350	350	355	355	



Note: All measurements are +/- 5%

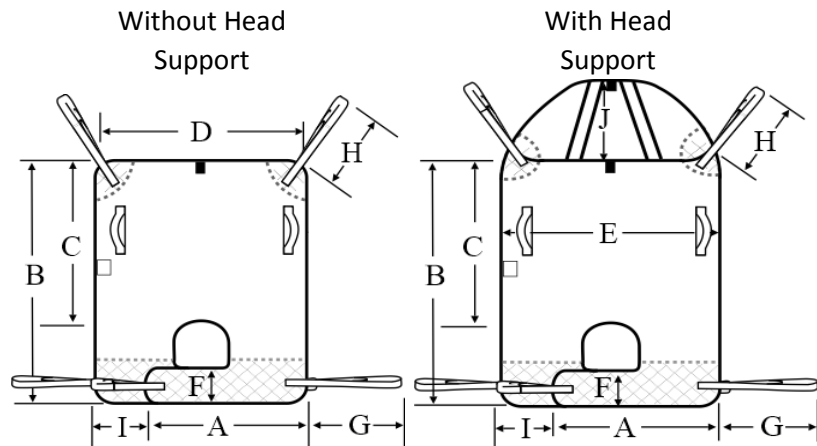
NB: This document is a guide only and shrinkage may occur during laundering processes. Specials / Made to measure variations of this and other sling designs for specialist patient needs will possibly vary from this guide.

Design Date: 01/04/2014

Signed: Len Foley Manager

**MACKWORTH SHORT LEG HAZEL - CLASSIC UNIVERSAL SL**

MATERIAL OPTIONS
SOLID
MESH
SPACER
QUILTING
PARASILK

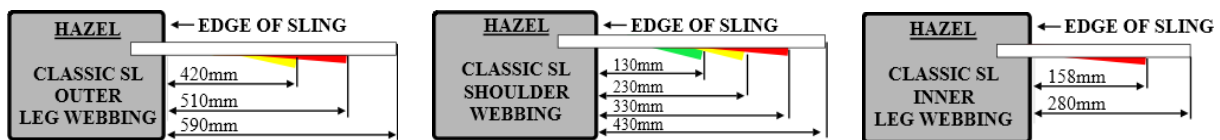


**NOTES**

- \* ALL MEASUREMENTS ARE IN MILLIMETRE'S
- \* MEASUREMENTS "B & C" ARE TAKEN DOWN THE SLINGS CENTRE, THE SIDES ARE SHORTER DUE TO THE DARTS
- \* "D" IS MEASURED AT THE TOP EDGE WHERE THE DARTS ARE "E" IS THE FULL WIDTH OF THE SLING
- \* THIS SLING HAS A SHORT INSIDE LEG WEBBING, DIMENSION "I"

**FINISHED SLING DIMENSIONS**

	XXS	XS	S	M	L	XL	XXL
A		535	555	645	720	840	950
B		850	940	1080	1200	1290	1390
C		565	640	730	850	940	1000
D		525	580	750	860	920	1080
E		680	730	900	1070	1220	1330
F		150	170	170	170	185	230
G		590	590	590	590	590	600
H		430	430	430	430	430	430
I		280	280	280	280	280	280
J		275	350	350	350	355	355



Note: All measurement are +/- 5%

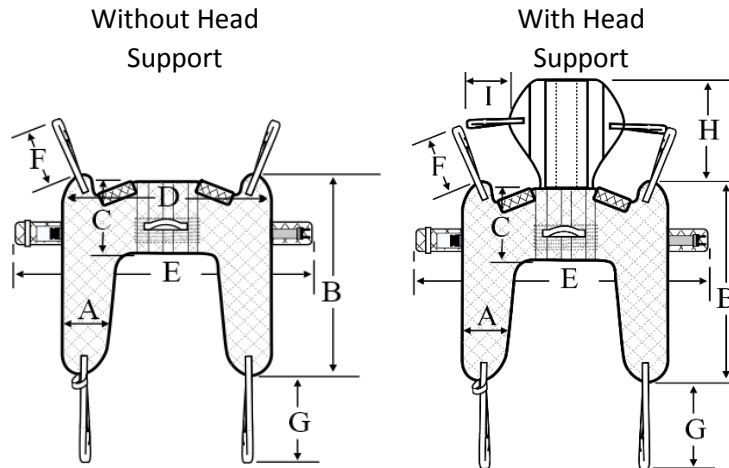
NB: This document is a guide only and shrinkage may occur during laundering processes. Specials / Made to measure variations of this and other sling designs for specialist patient needs will possibly vary from this guide.

Design Date: 01/04/2014

Signed: Len Foley Manager

**MACKWORTH WILLOW -LUXURY TOILET**

<b>MATERIAL OPTIONS</b>
QUILTING / SOLID
SOLID

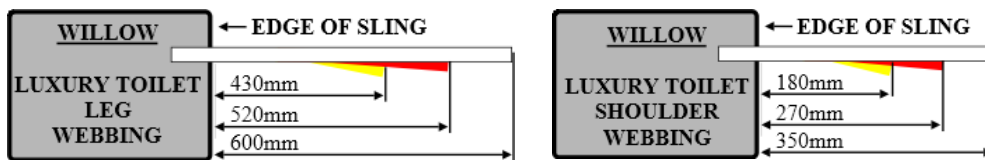


**NOTES**

- \* MEASUREMENTS ARE IN MILLIMETRE'S, FOR EASE OF USE BELT SIZE'S ARE ALSO IN INCHES
- \* MEASUREMENT "B" IS TAKEN FROM THE TIP OF THE SHOULDER TO THE END OF THE LEG
- \* "A" IS MEASURED 200 MM FROM THE END OF THE LEG
- \* "D" IS MEASURED 100 MM FORM THE TOP OF THE SLING ON THE WIDEST PART

**FINISHED SLING DIMENSIONS**

	XXS	XS	S	M	L	XL	XXL	XXXL
A	165	165	195	200	210	210	210	
B	700	780	850	895	970	1040	1150	
C	250	280	280	280	305	310	315	
D	690	770	860	980	1050	1130	1260	
E	30 3/4 / 780	36" / 914	41" / 1041	45.5" / 1156	55" / 1400	65" / 1651	76" / 1930	
To Fit Waist	19-25"	24-30"	27-36"	31-41"	40-51"	51-60"	61-70"	
F	350	350	350	350	350	350	350	
G	600	600	600	600	600	600	600	
H	350	350	500	500	500	500	500	
I	WEBBING ADJUSTABLE FOR THE PATIENTS COMFORT AND POSITION							



Note: All measurement are +/- 5%

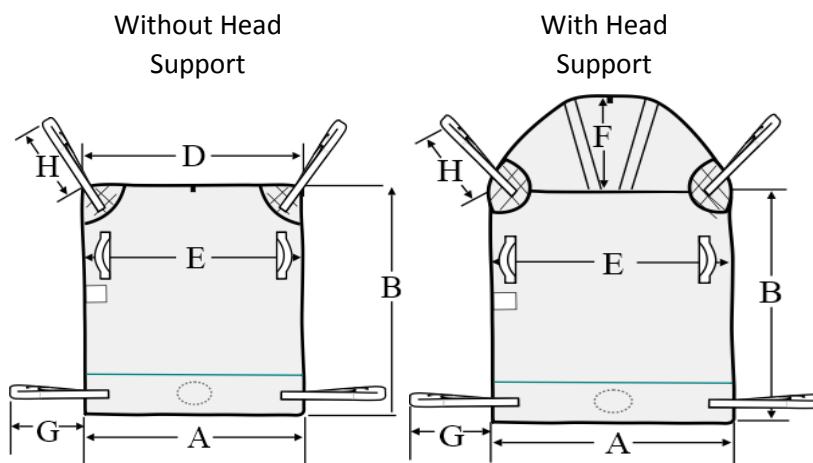
NB: This document is a guide only and shrinkage may occur during laundering processes. Specials / Made to measure variations of this and other sling designs for specialist patient needs will possibly vary from this guide.

Design Date: 01/04/2014

Signed: Len Foley Manager

### MACKWORTH PINE - HAMMOCK

MATERIAL OPTIONS
SOLID
MESH
SPACER
QUILTING
PARASILK

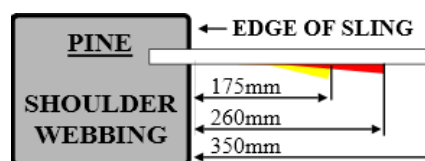
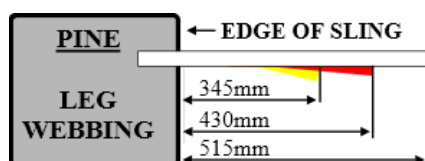


#### NOTES

- \* MEASUREMENTS ARE IN MILLIMETRE'S
- \* MEASUREMENT "B" IS TAKEN DOWN THE CENTRE OF THE SLING, THE SIDE BEING SHORTER WITH DARTS ADDED
- \* "D" IS MEASURED AT THE TOP EDGE WHERE THE DARTS ARE "E" IS THE FULL WIDTH OF THE SLING

#### FINISHED SLING DIMENSIONS

	XXS	XS	S	M	L	XL	XXL	XXXL
A	660	760	855	920	950	1040	1150	
B	690	820	900	1000	1070	1150	1190	
C	NA	NA	NA	NA	NA	N/A	NA	
D	510	610	715	810	850	850	960	
E	660	740	866	950	1035	1090	1200	
F	270	330	360	360	360	360	360	
G	515	515	515	515	515	515	515	
H	350	350	350	350	350	350	350	



Note: All measurement are +/- 5%

NB: This document is a guide only and shrinkage may occur during laundering processes. Specials / Made to measure variations of this and other sling designs for specialist patient needs will possibly vary from this guide.

Design Date: 02/02/2015

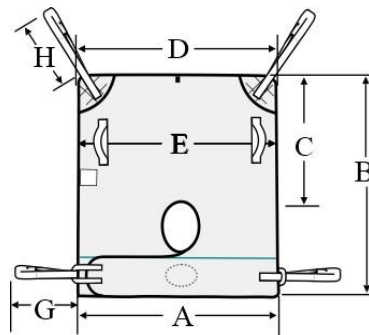
Signed: Len Foley Manager



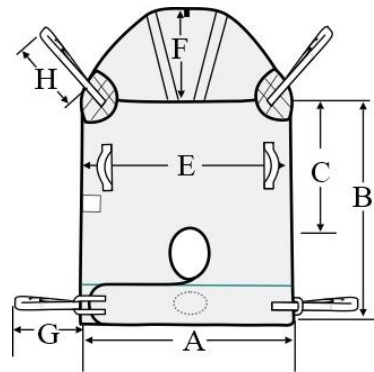
**MACKWORTH BEECH -EASY FIT HAMMOCK**

MATERIAL OPTIONS
SOLID
MESH
SPACER
QUILTING
PARASILK

Without Head Support



With Head Support



NOTES

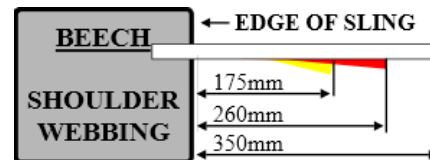
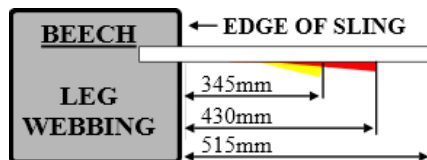
\* ALL MEASUREMENT ARE IN MILLIMETER'S

\* "D" IS MEASURED AT THE TOP EDGE WHERE THE DARTS ARE "E" IS THE FULL WIDTH OF THE SLING

\* MEASUREMENTS "B & C" ARE TAKEN DOWN THE SLING'S CENTRE, THE SIDES ARE SHORTER WITH DARTS ADDED

FINISHED SLING DIMENSIONS

	XXS	XS	S	M	L	XL	XXL	XXXL
A	630	790	815	835	890	1040		
B	660	820	845	875	925	995		
C	455	550	490	580	645	750		
D	510	720	730	820	870	870		
E	660	760	860	945	1030	1090		
F	270	330	360	360	360	360		
G	515	515	515	515	515	515		
H	350	350	350	350	350	350		
I	160	160	160	160	160	160		
J								



Note: All measurement are +/- 5%

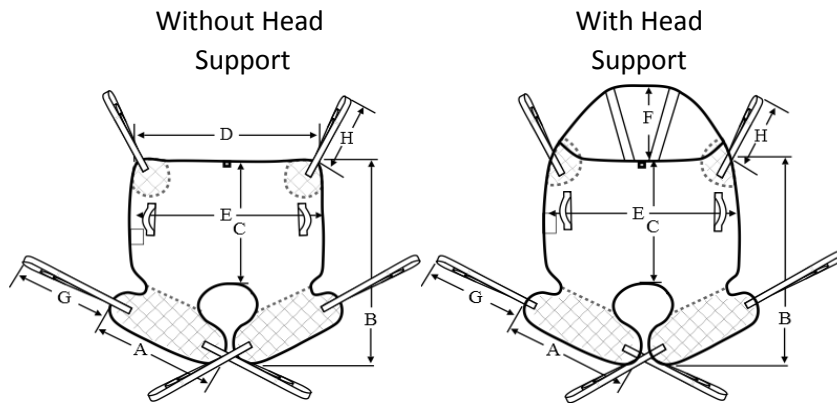
NB: This document is a guide only and shrinkage may occur during laundering processes. Specials / Made to measure variations of this and other sling designs for specialist patient needs will possibly vary from this guide.

Design Date: 01/04/2014

Signed: Len Foley Manager

**MACKWORTH YEW - UNIVERSAL EASYFIT**

MATERIAL OPTIONS
SOLID
MESH
SPACER
QUILTING
PARASILK

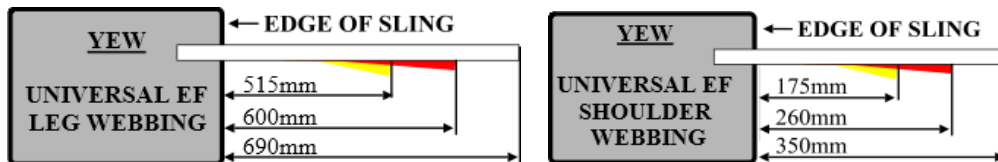


**NOTES**

- \* MEASUREMENTS ARE IN MILLIMETRES
- \* MEASUREMENT "B" IS TAKEN FROM THE TOP CENTRE OF THE SLING TO THE END OF THE LEG
- \* "D" IS MEASURED AT THE TOP EDGE WHERE THE DARTS ARE "E" IS THE FULL WIDTH OF THE SLING
- \* "G" WEBBING IS USED ON THE INSIDE AND THE OUTSIDE IF THE LEG SECTION

**FINISHED SLING DIMENSIONS**

	XXS	XS	S	M	L	XL	XXL	XXXL
A		500	530	595	595	620	680	720
B		890	920	990	1100	1190	1270	1220
C		570	620	665	780	800	800	800
D		620	720	820	840	950	960	1060
E		770	870	960	1060	1150	1270	1350
F		350	360	360	360	360	360	360
G		690	690	690	690	690	690	690
H		350	350	350	350	350	350	350



Note: All measurement are +/- 5%

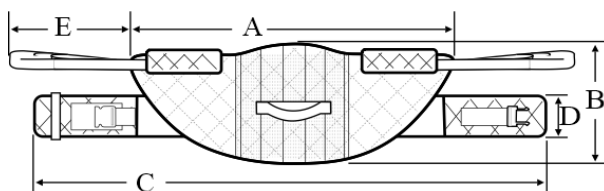
NB: This document is a guide only and shrinkage may occur during laundering processes. Specials / Made to measure variations of this and other sling designs for specialist patient needs will possibly vary from this guide.

Design Date: 01/04/2014

Signed: Len Foley Manager



<b>MATERIAL OPTIONS</b>
QUILTING / SOLID

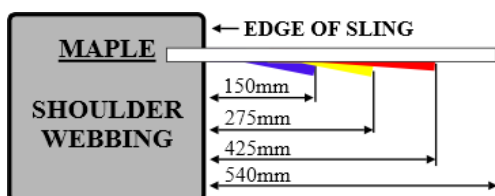


**NOTES**

\* MEASUREMENTS ARE IN MILLIMETRE'S, FOR EASE OF USE BELT SIZE'S ARE ALSO IN INCHES

**FINISHED SLING DIMENSIONS**

	XXS	XS	S	M	L	XL	XXL	XXXL
A			860	960	1060	1160	1260	
B			325	325	325	330	330	
C			41"/ 1041	45.5" / 1156	55"/ 1400	65"/ 1651	76"/ 1930	
To Fit Waist			27-36"	31-41"	40-51"	51-60"	61-70"	
D			130	130	130	130	130	
E			540	540	540	540	540	



Note: All measurement are +/- 5%

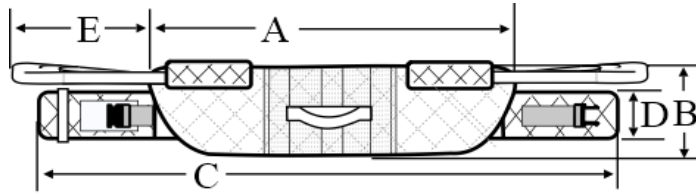
NB: This document is a guide only and shrinkage may occur during laundering processes. Specials / Made to measure variations of this and other sling designs for specialist patient needs will possibly vary from this guide.

Design Date: 01/04/2014

Signed: Len Foley Manager

**MACKWORTH POPLAR - SIT TO STAND BELT**

<b>MATERIAL OPTIONS</b>
QUILTING / SOLID

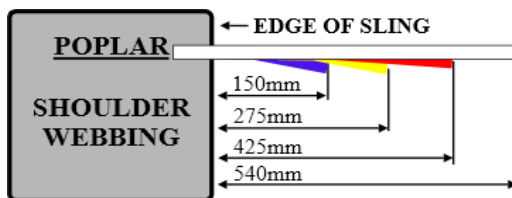


**NOTES**

\* MEASUREMENTS ARE IN MILLIMETRE'S, FOR EASE OF USE BELT SIZE'S ARE ALSO IN INCHES

**FINISHED SLING DIMENSIONS**

	XXS	XS	S	M	L	XL	XXL	XXXL
A			830	930	1030	1130		
B			160	160	160	160		
C			41"/ 1041	45.5" / 1156	55"/ 1400	65"/ 1651		
To Fit Waist			27-36"	31-41"	40-51"	51-60"		
D			130	130	130	130		
E			540	540	540	540		



Note: All measurement are +/- 5%

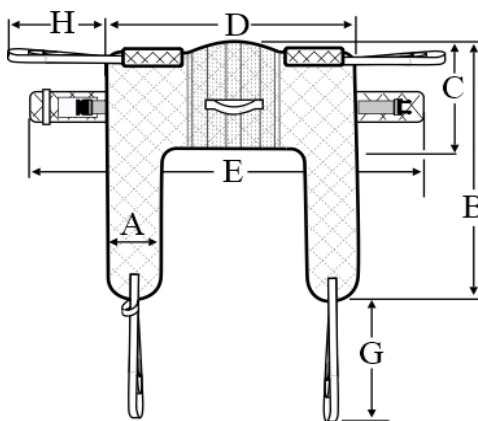
NB: This document is a guide only and shrinkage may occur during laundering processes. Specials / Made to measure variations of this and other sling designs for specialist patient needs will possibly vary from this guide.

Design Date: 01/04/2014

Signed: Len Foley Manager

**MACKWORTH HOLLY- SIT TO STAND TRANSPORT**

MATERIAL OPTIONS
SPACER / SOLID

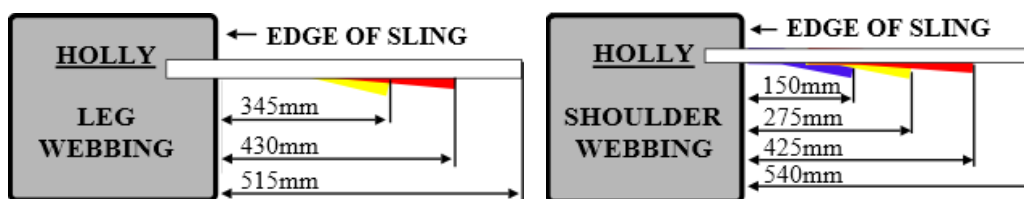


**NOTES**

- \* MEASUREMENTS ARE IN MILLIMETRE'S, FOR EASE OF USE BELT SIZE'S ARE ALSO IN INCHES
- \* MEASUREMENT "B" IS TAKEN FROM TOP CENTRE OF THE SLING TO THE END OF THE LEG
- \* "A" IS MEASURED 100 MM FROM THE END OF THE LEG
- \* "D" IS MEASURED ACROSS THE TOP OF THE SLING ON IT'S WIDEST PART

**FINISHED SLING DIMENSIONS**

	XXS	XS	S	M	L	XL	XXL	XXXL
A			175	170	205	205		
B			825	920	975	1025		
C			320	330	330	340		
D			840	940	1030	1170		
E			41" / 1041	45.5" / 1156	55" / 1400	65" / 1651		
To Fit Waist			27-36"	31-41"	40-51"	51-60"		
G			515	515	515	515		
H			540	540	540	540		



Note: All measurement are +/- 5%

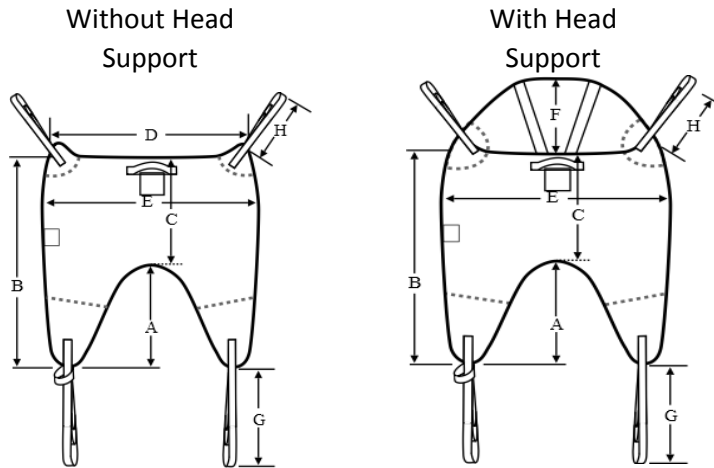
NB: This document is a guide only and shrinkage may occur during laundering processes. Specials / Made to measure variations of this and other sling designs for specialist patient needs will possibly vary from this guide.

Design Date: 01/04/2014

Signed: Len Foley Manager

**MACKWORTH ELM - MULTI USE DISPOSABLE**

MATERIAL OPTIONS
SANFORIZED COTTON

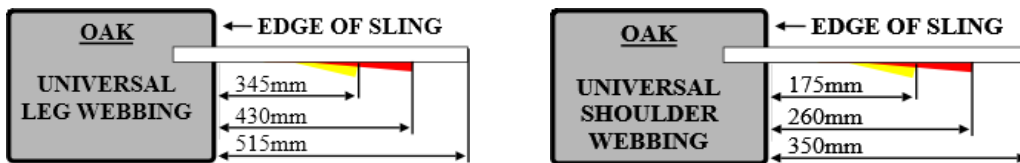


**NOTES**

- \* MEASUREMENTS ARE IN MILLIMETRES
- \* MEASUREMENT "B" IS A + C WITH THE SLING LAID FLAT, CENTRE SLING.
- \* "D" IS MEASURED AT THE TOP EDGE WHERE THE DARTS ARE "E" IS THE FULL WIDTH OF THE SLING

**FINISHED SLING DIMENSIONS**

	XXS	XS	S	M	L	XL		
A	330	365	400	440	470	485		
B	780	860	930	990	1070	1080		
C	440	490	530	560	650	660		
D	530	630	730	830	870	850		
E	660	760	860	965	1060	1120		
F	275	275	360	360	360	355		
G	515	515	515	515	515	515		
H	350	350	350	350	350	350		



Note: All measurement are +/- 5%

NB: This document is a guide only and shrinkage may occur during laundering processes. Specials / Made to measure variations of this and other sling designs for specialist patient needs will possibly vary from this guide.

Design Date: 01/04/2014

Signed: Len Foley Manager